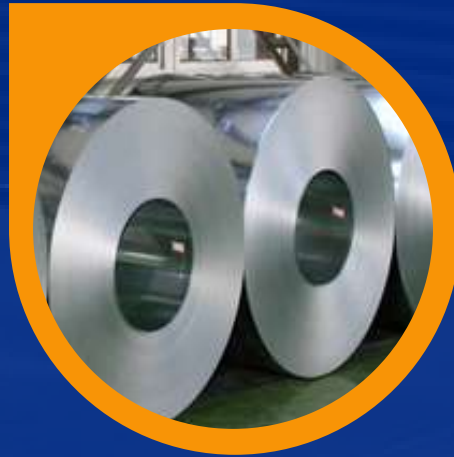
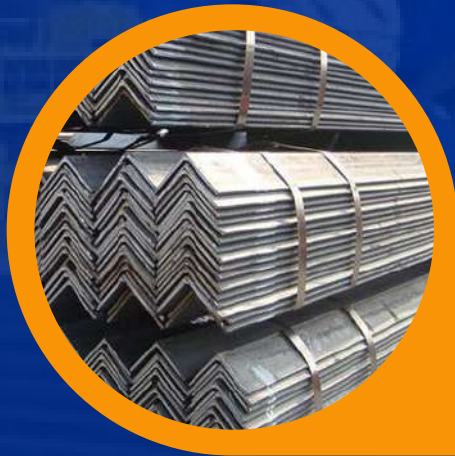




K I S C O

KRISHNA IRON & STEEL COMPANY



AN **ISO 9001 : 2015**
CERTIFIED COMPANY
CERTIFICATE NO.: **AXXXYYZZ**



WELCOME TO KISCO

KISCO Group of companies founded in 2002, KISCO touches the lives of millions of people across south India each day with the steel that we supply. This is made possible by our commitment to a culture of continuous improvement, through which we drive operational excellence in procurement and timely delivery.

Founder's continuous effort and improvement in our service portfolio along with success in creating initiatives for the customers which allow us to serve south India markets such as Tamil Nadu, Kerala, AP and Pudhuchery. Today we are among the leading steel suppliers in the market.

KISCO is the largest stockist of SAIL and we also deal with premium brands like TATA, JSW, VIZAG, APOLLO, AMNS and UTTAM. KISCO Products portfolio is divided into following segments - Industrial Products, Special Projects, Automotive and Infrastructure Projects. The company also supplies cold rolled, hot rolled, galvanized and PEB Structural suppliers.

VISION

To be a leading supplier in the industry, value creation, Reliable and building long term relationships with all the customers.

MISSION

Consistent with the vision and values of the founder, KISCO strives to strengthen value added products and supply base.

CORE VALUES

KISCO will enable continuous learning, Commitment, collaborative relationships based on trust and mutual respect KISCO committed to promote integrated responsibility and value for social and environmental well-being.

PRODUCTS

MS ANGLES



The angle is manufactured from hot rolled steel, They are formed by bending a single angle in a piece of steel which is available in a variety of grades and sizes. MS angle advantages are wide dimensional range, excellent surface finish, superior weldability, mechanical and chemical properties.

MS BEAM JOISTS



An I - beam is also known as H - beam. The horizontal elements of the I are flanges and the vertical element is web. I beams are available in a variety of standard sizes. I beams are intensively used in different applications of the steel construction area. A unidirectional bending behavior is one of best unique properties.

MS PIPES



Hollow sections are manufactured using high quality HR coils, Its light in weight and having high yield strength. The sections are easy to bend and ideal for welding. The chemical composition of steel will not allow any cracks to develop during welding. Is more suitable to use for a quality steel construction that saves cost and time.

MS CHANNELS



C Channel is a conventional production component that is generally manufactured from hot-rolled steel. It has a wide and flat surface and also has flanges at right angles on both sides. The other edge of the c channel is properly angled and has a radius corner. The channel offers durability, and its board and flat surface is perfect for attaching items and offering rigid support.

CR COILS / SHEETS



Cold formed steel is the common term for steel products shaped by cold working processes carried out near room temperature such as rolling, pressing and bending. It's galvanized finish with no need for additional coating or painting. Benefits are consistent mechanical properties, thickness, superior surface finish and optimum formability and weldability.

HR COILS / SHEETS



Hot rolled sheet is a type of steel that is formed using the hot rolling process at a temperature above its recrystallization. HR steel is easier to shape at this elevated temperature. We cater to customers across industries and different segments such as Automotive structural parts, Railways, Agri Equipments, Metal buildings and PEBs.

SPECIAL GRADE PLATES



These plates are fabricated and designed by using the finest quality of materials that is making the plates to be reliable and appropriate to use at several applications. The plates are well assured for quality and tests are conducted to check about the quality of the plate. Applications are Nuclear, Aerospace, Shipping, Boilers, Heat Exchangers, Port Building and Steel plants etc.

- IS 2062 E 350 BR/B0
- IS 2062 E 450 BR/B0
- IS 515 OR 516 GRADE 70

GP / GI COIL SHEETS



The galvanized steel is high in strength, corrosion resistant, eco-friendly, durable and lightweight. The zinc-iron alloy layers formed during the process create a protective coat around the steel, which helps moisture away and prevents corrosion. The product is available in various grades. It has an unbeatable advantage that delivers greater value, reduces wastage and high quality coated steel offering that ensures better return on investment.

COLOR ROOFING COILS



Galvalume steel is a zinc and aluminium coated steel with distinctive clear resin surface finish. This product ensures maximum strength for every sheet of the color coated steel. The consistency of the steel leads to very high quality, strength and durability. The sheet is light weight high tensile steel. It offers a yield strength of min 550 mpa and 770 mpa to meet various applications. The anti-corrosion technology prevents early corrosion of steel and substantially increases the life of the roof, It can withstand all kinds of weather conditions.

NPB



Narrow Parallel Flange Beams are doubly symmetric shapes, generally used as beams whose inside flange surfaces are substantially parallel. It is able to withstand higher axial load bearing capacity, section modulus and bending strength make parallel sections more efficient.

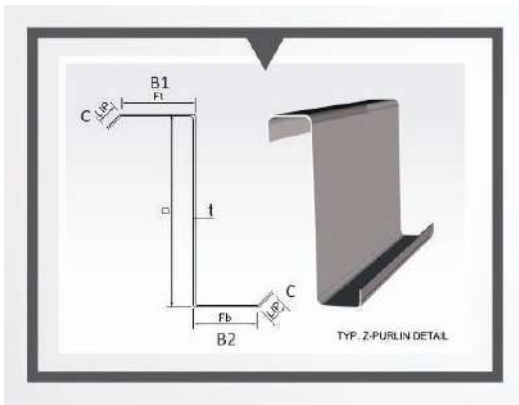
NPB Vs Conventional tapered Flange

- Its economical due to savings in weight
- More convenient to fabricate
- Flexibility of using a wide range of flange width and thickness
- Better quality of finished product

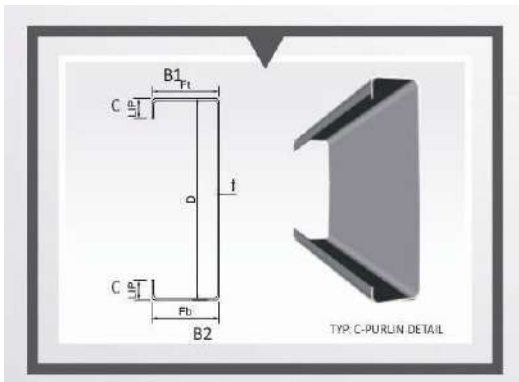
AUTHORIZED DEALERS FOR



Z AND C - PURLIN

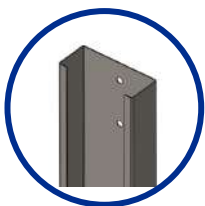


Z SECTION SHEET (All Dimensions are in mm)			
Size a (mm)	Size B1/B2 (mm)	Size c (mm)	Size t (mm)
120-300	30-80	10-20	1.2-3



C SECTION SHEET (All Dimensions are in mm)			
Size a (mm)	Size B1/B2 (mm)	Size c (mm)	Size t (mm)
75-300	30-100	10-20	1.2-3

SOLAR STRUCTURES



Column Post



Vertical Rafter



Purlin



Gusset Plate



Side Bracing

INFRASTRUCTURE

FACILITY	DETAILS
WAREHOUSE	3 ACRE
COVERED WAREHOUSE	30,000 SQ.FT
OFFICE SPACE	1,800 SQ.FT

TRAILER WEIGH BRIDGE

- 100 tonnes - Digital load cell weigh bridge with printing facility.
- **Weigh Bridge is checked with standard reference test weights to ensure its accuracy at regular intervals of once in 3 months**

EOT CRANE

- In house 20 tonne, 15 tonne EOT Cranes & 15 tonne Mobile Cranes

LOGISTICS

HEAVY VEHICLES	CAPACITY	STRENGTH
TRAILERS	40 TONNES	6
MEDIUM TRUCKS	15 TONNES	2



CONTACT US

Regd Office & Warehouse:

SF No: 244/3B2,
Kunnathur to Oraikkalpalayam Road,
Kunnathur Village, Coimbatore - 641107

Salem Branch:

SF NO:239/2A,2B,Boominaickenpatti
(Post), Muthunaickenpatti(Via),
Omalur Taluk,Salem - 636304

Trichy Branch:

SF NO:233A, NO.10, Pudukudi,
Thanjavur - 613402



0422 - 2200222
2200888



99653 86777
99653 80777



info_kisco@yahoo.com
admin@kisco.co.in
sales@kisco.co.in